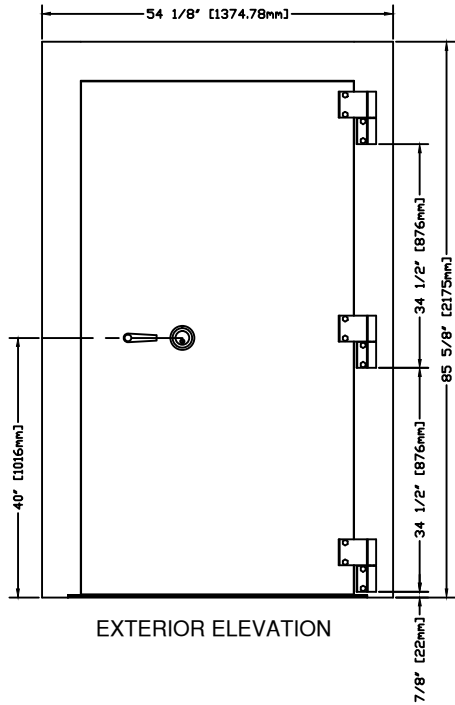
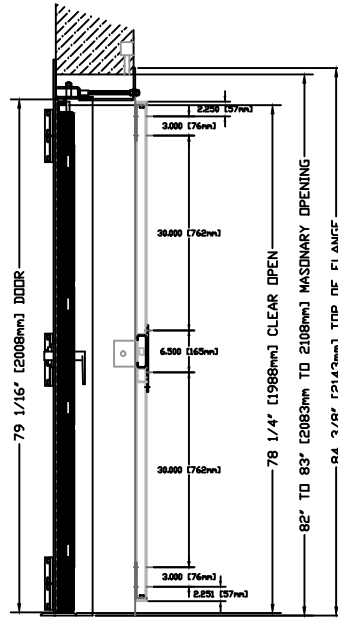


PLAN

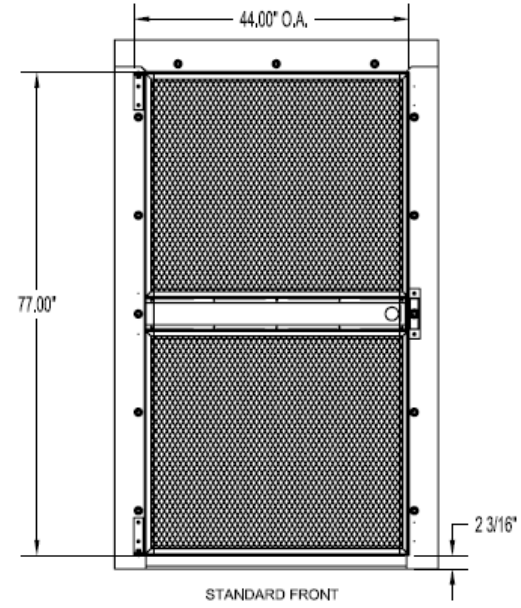


EXTERIOR ELEVATION

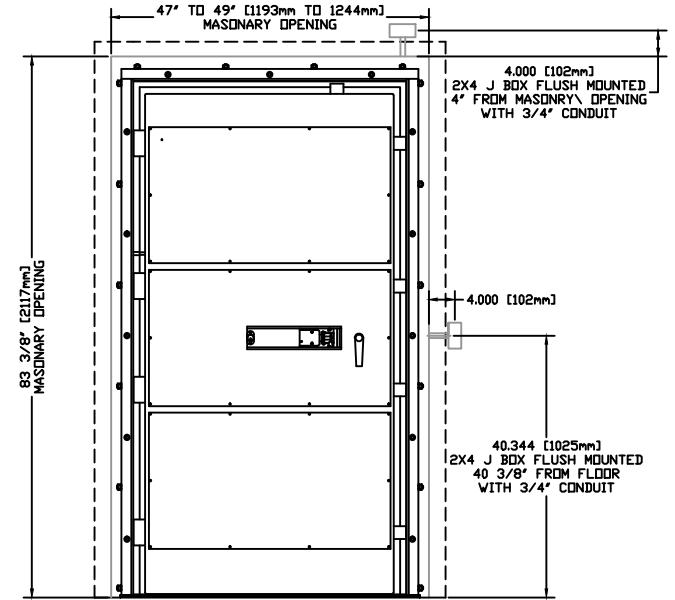


SECTION

RIGHT SWING SHOWN  
LEFT SWING OPPOSITE



STANDARD FRONT



INTERIOR ELEVATION

APPROXIMATE SHIPPING WEIGHT = 1,500 lbs